



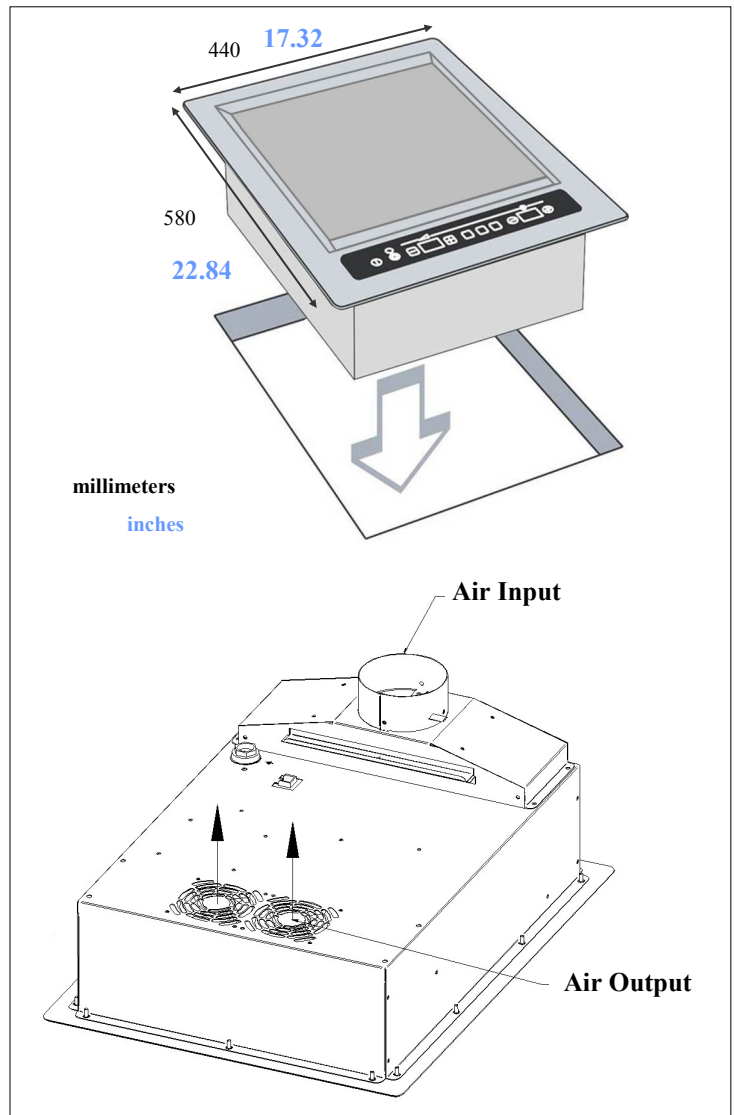
MADE IN France

READY TO USE - place on a counter, Plug & Play

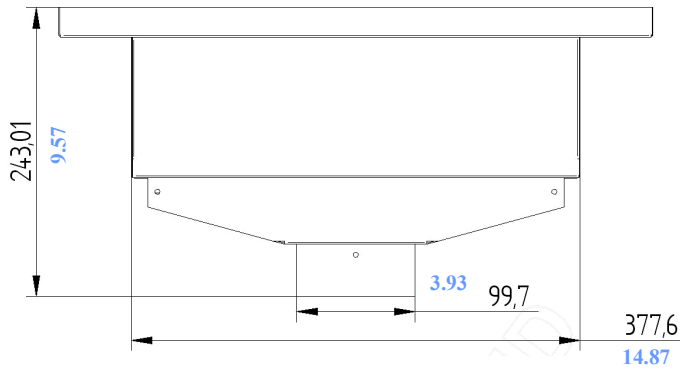
Setting	Temperature (°C)	Temperature (°F)
1	50	122
2	70	158
3	90	194
4	110	230
5	130	266
6	150	302
7	170	338
8	190	374
9	210	410
10	230	446
11	250	482
12	280	536

TECHNICAL DATA / REF: ADV1349

External structure	AISI 304 stainless steel
Cooking surface	Grill surface in a multi layer material
Control panel	Glass touches
Amp load	16 A
Functions	On/Off, manual temperature setting (+/-) with 4 digits display, 3 presets
Power supply	230 V; 208/240 V ; AC 50 - 60 Hz
Weight (net)	16.5 kg / 35.3 lbs
Standards	Complies with European standards for safety of electrical appliances, for EMC and for Rohs.
Details and options	Including a power cord and a filter (wash regularly). Spatula available upon request.



Installation dimensions : 410 x 550 mm / 16.14 x 21.65 inches



millimeters
inches

